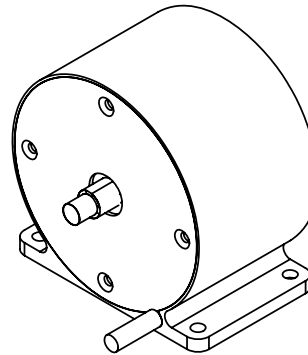
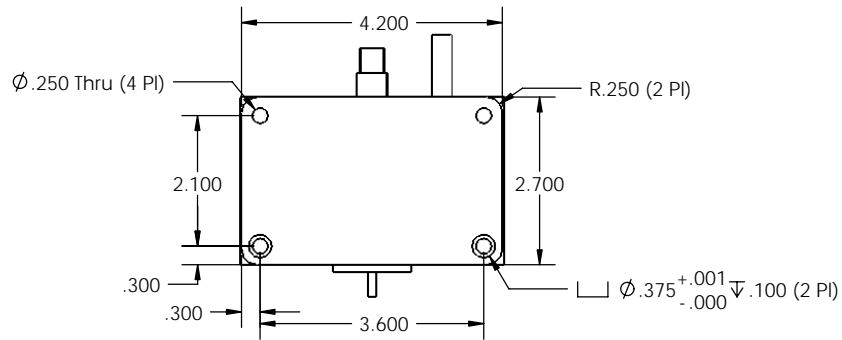
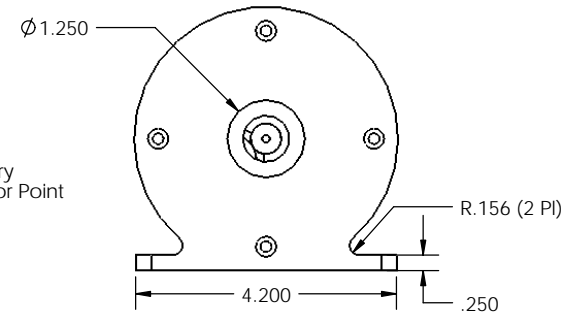
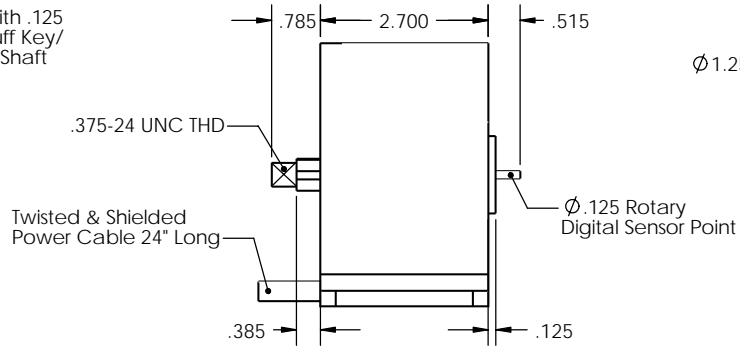
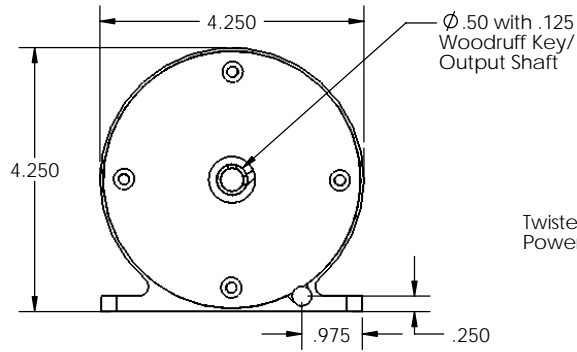


These drawings and specifications are the property of H2W Technologies, Inc. They are issued in confidence and shall not be reproduced, copied, or used without written permission from H2W Technologies, Inc.



SPECIFICATIONS	
Model Number:	TMR-040-438-4H
Constant Torque Angular Displacement:	40 degrees
Resistance:	2.9 ohms
Total Weight:	3000 grams
Continuous Torque:	438 in-oz*
Peak Torque:	1314 in-oz*
Motor Constant:	56.5 in-oz/sqrt(watts)

*With proper heat sinking.

RELEASED FOR MFG.

DATE 11-19-04

BY *CPH*

H2W Technologies, Inc.

28310-C Ave Crocker, Valencia, CA 91355 USA
Tel: (661)-702-9246 Fax: (661)-702-9248
www.h2wtech.com

UNLESS OTHERWISE SPECIFIED:
ALL DIMENSIONS IN INCHES
XXX ANGLES ±1
XX ±.010 FILLETS AND
X ±.020 CORNERS 0.010
REMOVE ALL BURRS, SHARP EDGES

MATERIAL

FINISH

TITLE

TMR-040-438-4H

DRAWN OCG DATE 11-19-04 APPROVED MPW DATE 11-19-04 DWG # **80-0085** REV ... ECN